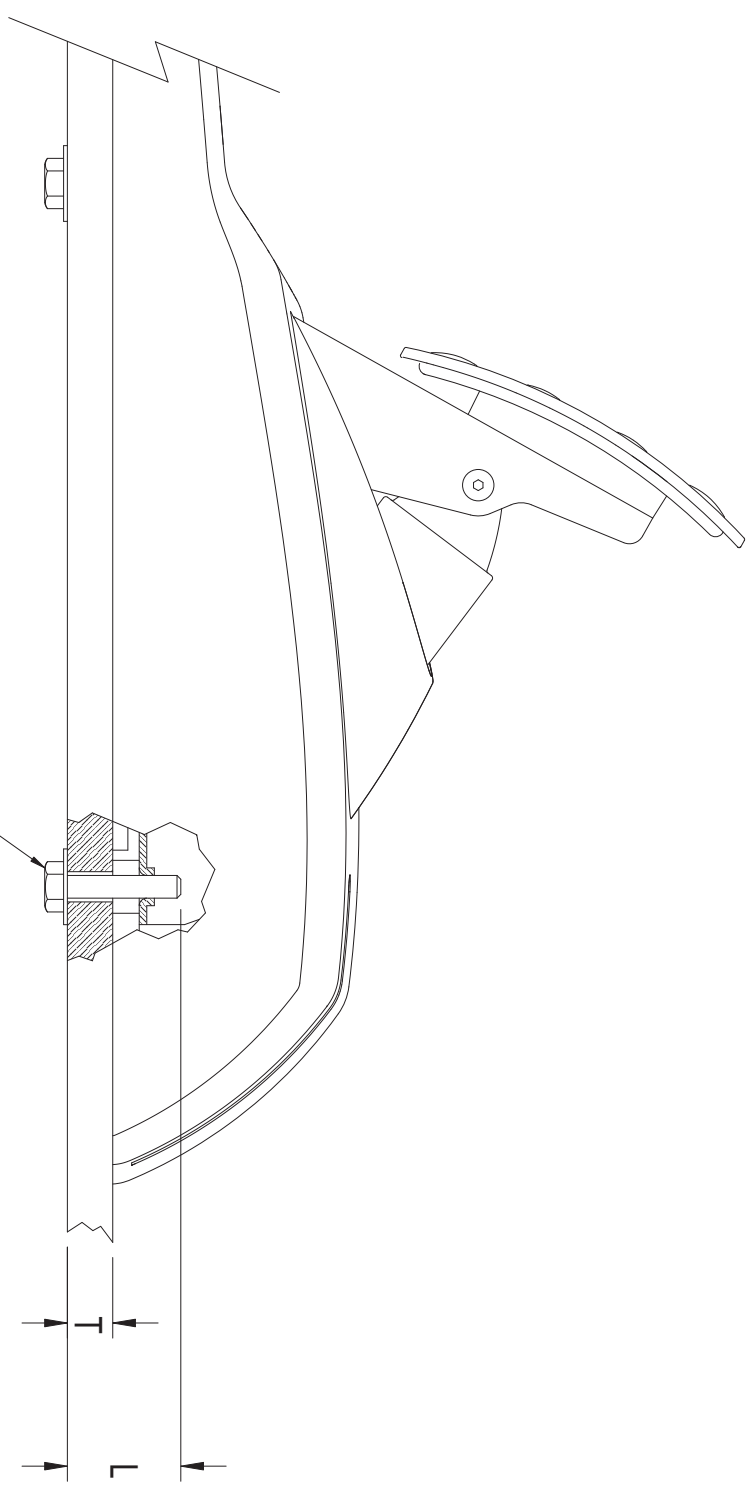


$$L = T + 15 \text{ MM}$$

M6X1



186 MM

Ø8 MM

