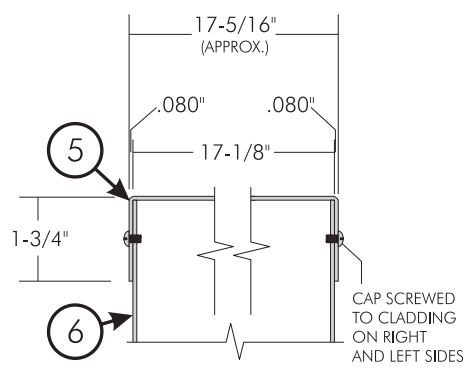
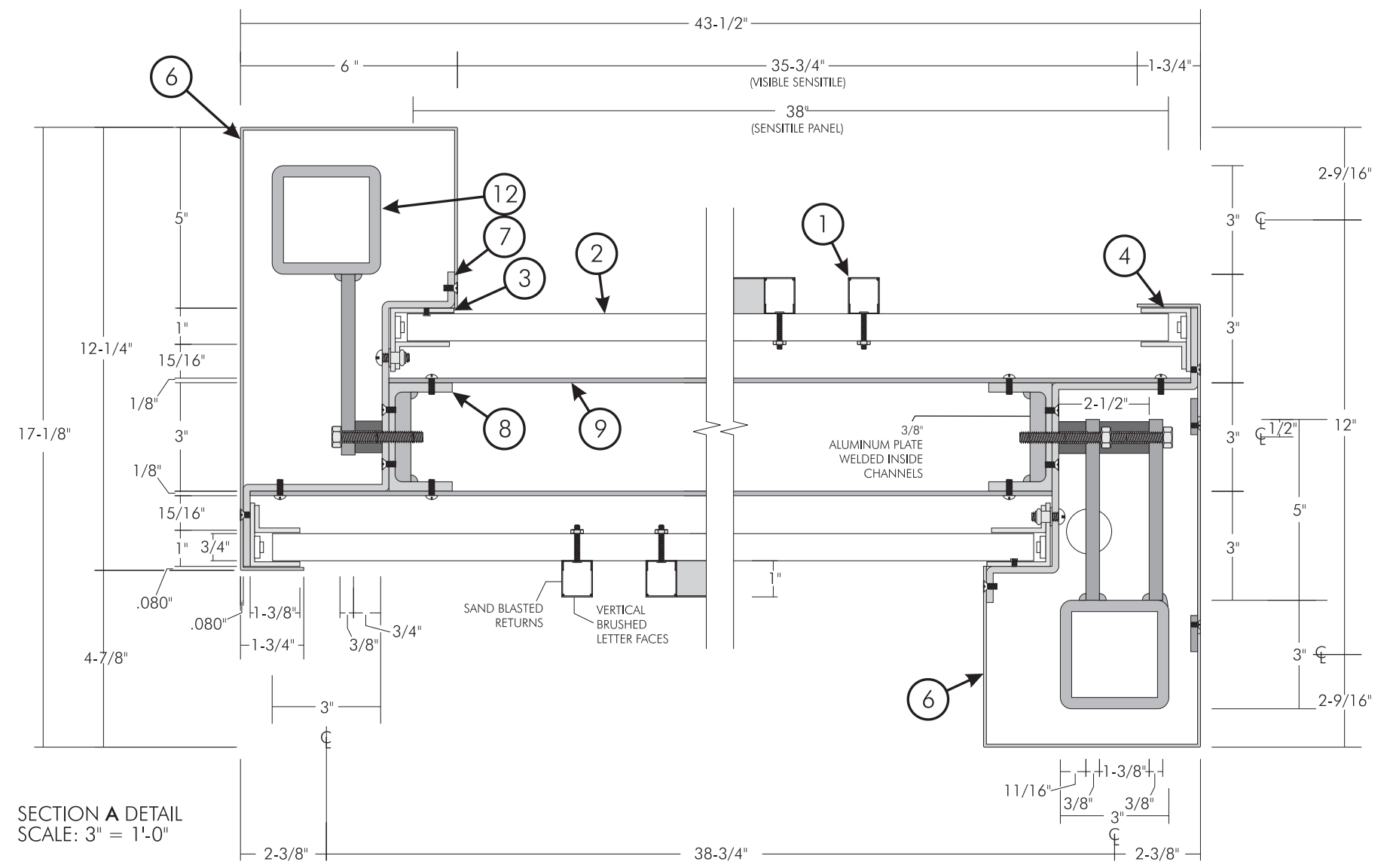


FRONT VIEW
SCALE: 3/8" = 1'-0"



CAP DETAIL
SCALE: 3" = 1'-0"

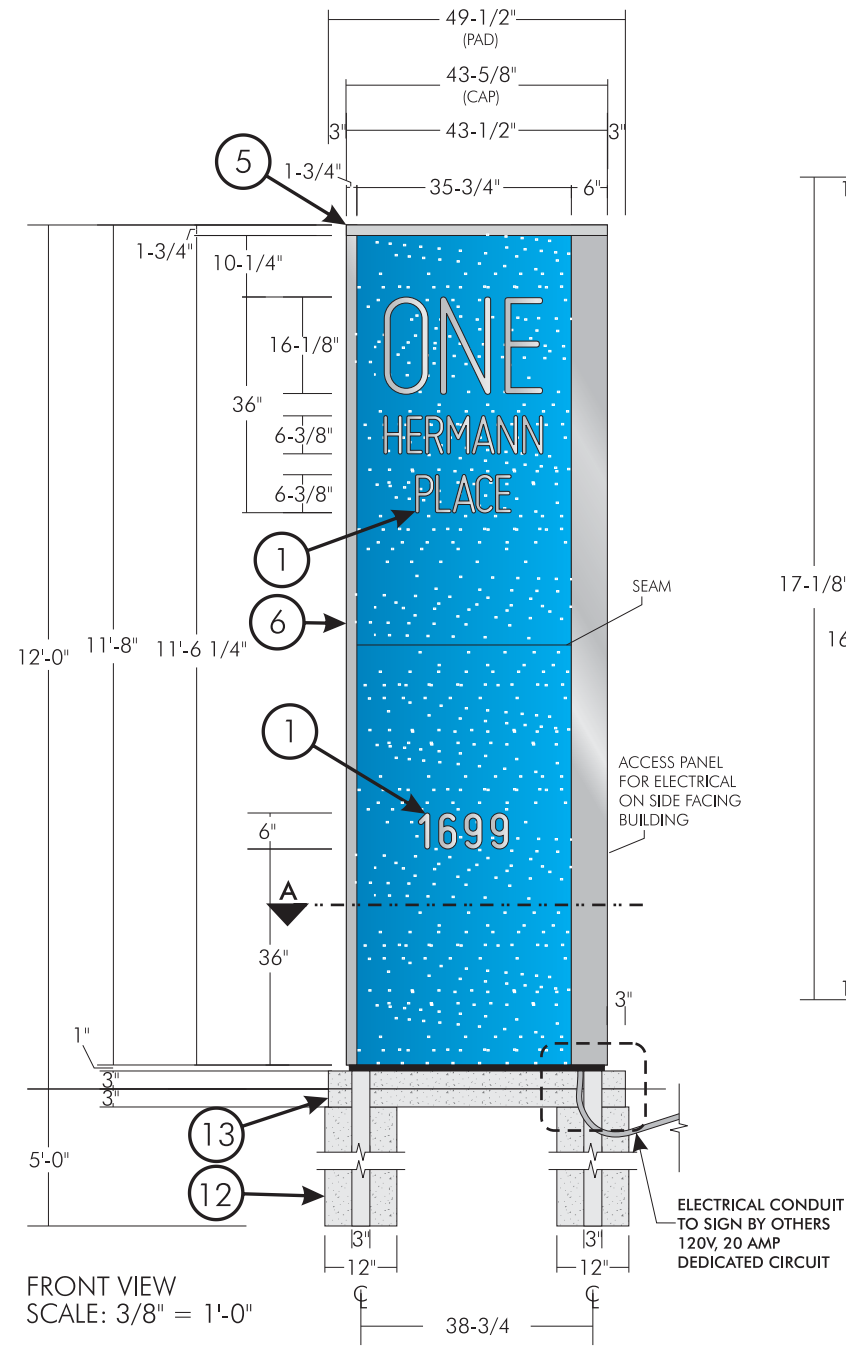


SECTION A DETAIL
SCALE: 3" = 1'-0"

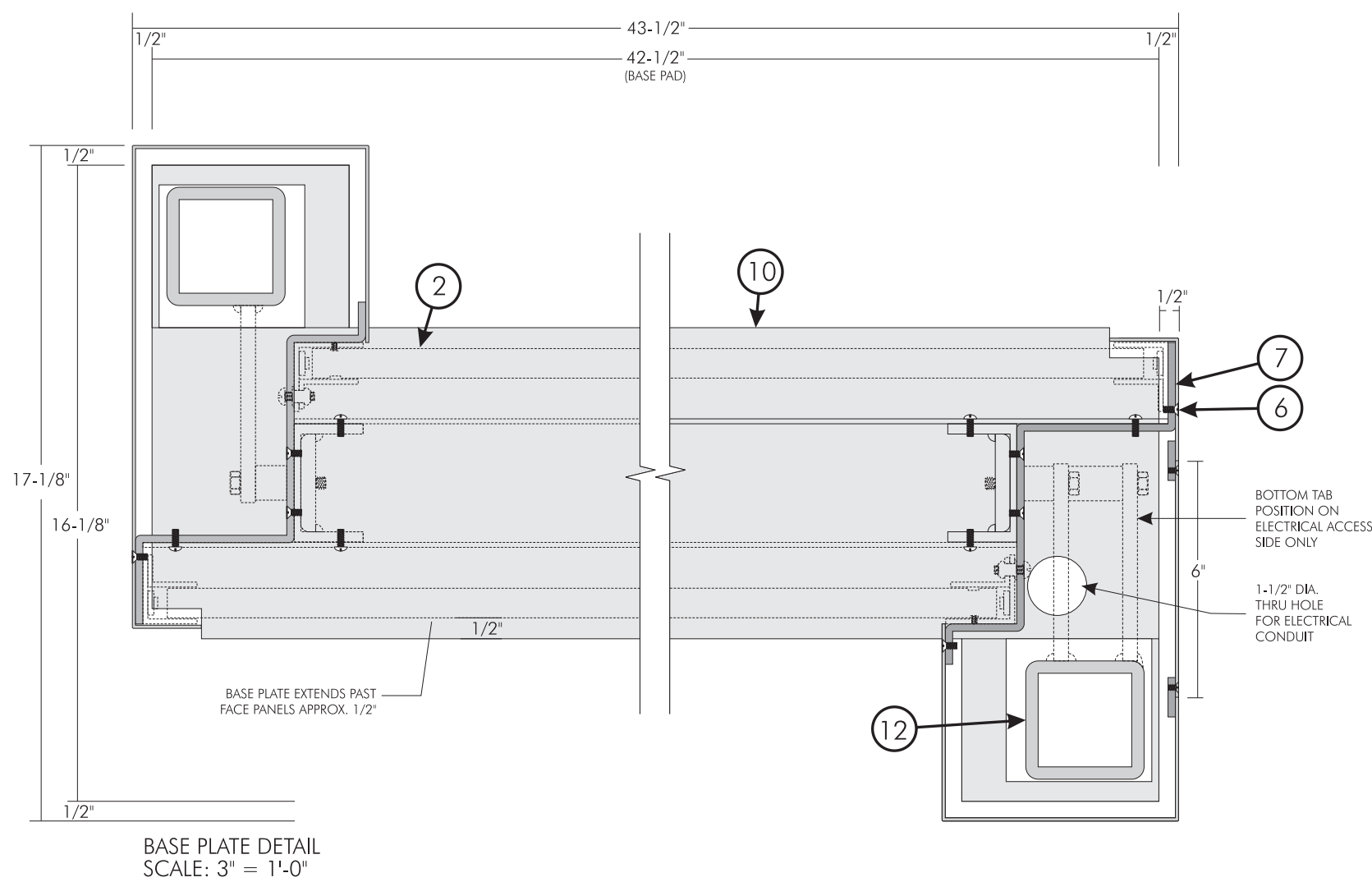
- 1- 1" THICK FABRICATED STAINLESS STEEL LETTER FORMS AND ADDRESS NUMERALS WITH VERTICALLY BRUSHED FACES AND RETURNS; ATTACHED TO SIGN FACE WITH SCREWS
- 2- 11'-7 1/4" X 38" X 3/4" THICK SENSITILE LUMINA SPARK BOLD ACRYLIC SIGN FACE PANEL; CLEAR FACE, CLEAR CENTER AND #2550 BLUE BACK; HORIZONTAL SEAM IN CENTER PROVIDED BY SENSITILE; SLOT IN RIGHT SIDE; PANELS SLIDE IN FABRICATED BRACKETS
- 3- RIGHT SIDE MOUNTING BRACKET FOR FACE PANELS AND LEDS FABRICATED FROM TWO PIECES OF ALUMINUM ANGLE TRIMMED TO SIZE AND SCREWED TOGETHER TO FORM CHANNELS AS SHOWN; ADDITIONAL HOLES DRILLED AND TAPPED FOR 8-32 SET SCREWS THAT FIT IN SLOT TO PREVENT HORIZONTAL MOVEMENT
- 4- LEFT SIDE MOUNTING BRACKET FOR FACE PANELS AND LEDS FABRICATED FROM TWO PIECES OF ALUMINUM ANGLE TRIMMED TO SIZE AND SCREWED TOGETHER TO FORM CHANNELS AS SHOWN, ALLOWS MOVEMENT FOR EXPANSION
- 5- 14 GA. STAINLESS STEEL TOP CAP WITH 1-3/4" RETURNS; BRUSHED FINISH; ATTACHED TO CLADDING WITH SCREWS
- 6- 14 GA. STAINLESS STEEL CLADDING; VERTICAL BRUSHED; FORMED TO SHAPE; ATTACHED TO 3/16" FORMED ALUMINUM WITH FLAT HEAD, UNDER CUT SCREWS

- 7- 3/16" THICK FORMED ALUMINUM; HOLES DRILLED FOR ALUMINUM CHANNELS AND FABRICATED BRACKETS FOR FACE PANELS AND LED MODULES; HOLES DRILLED AND TAPPED FOR CLADDING ATTACHMENT AND 1/8" ALUMINUM BACK PANELS; ATTACHED TO 3" ALUMINUM STRUCTURAL CHANNEL WITH FLAT HEAD SCREWS; PAINTED SILVER
- 8- 3" STRUCTURAL ALUMINUM CHANNEL; 3/8" ALUMINUM BAR STOCK WELDED INSIDE CHANNEL; HOLES DRILLED AND TAPPED FOR 3/16" FORMED ALUMINUM AND 1/8" ALUMINUM PANELS; HOLES FOR 3/8" MOUNTING BOLTS ARE DRILLED AND TAPPED IN FIELD
- 9- 1/8" THICK ALUMINUM PANELS; ATTACHED TO 3/16" FORMED ALUMINUM AND 3" STRUCTURAL ALUMINUM CHANNELS WITH SCREWS; PAINT MAP BRUSHED ALUMINUM SILVER
- 10- BASE PLATE 1" THICK ALUMINUM PLATE FOR REVEAL; NOTCHES CUT FOR 3" SQUARE TUBE STEEL POSTS; 1-1/2" DIAMETER HOLE CUT OUT FOR ELECTRICAL CONDUIT; PAINT BLACK; ATTACHED TO CONCRETE PAD WITH ANCHOR BOLTS
- 12- 3" X 3" X 5/16" A50 STEEL SQUARE TUBE; 4" X 5" X 3/8" THICK STEEL MOUNTING TABS WELDED ON POSTS (4 EA. POST) TO ATTACH CABINET; POSTS SET IN 12" DIAMETER X 6'-0" CONCRETE PIER FOOTINGS
- 13- CONCRETE PAD; EXTENDS 3" FROM ALL SIDES OF SIGN CABINET; PAD SETS 3" BELOW GRADE AND EXTENDS 3" ABOVE GRADE

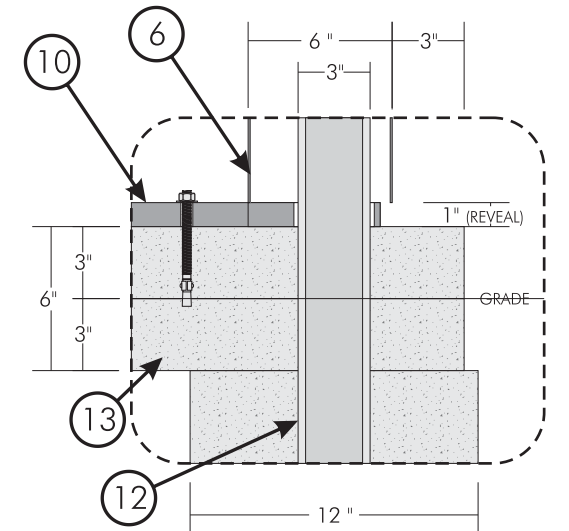
	6209 Windfern Houston, Texas 77040 fax: 713-690-7676 phone: 713-690-9999 signs@graphtecinc.com	DATE 01/22/16
		REVISED 03/17/16
1 Hermann Place		DRAWN BY JCW
Sign Type EX-01 Building Identifier		SCALE AS SHOWN
		DRAWING NUMBER G5432-16A R3



FRONT VIEW
SCALE: 3/8" = 1'-0"



BASE PLATE DETAIL
SCALE: 3" = 1'-0"



REVEAL/FOOTING DETAIL
SCALE: 1-1/2" = 1'-0"

- 1- 1" THICK FABRICATED STAINLESS STEEL LETTER FORMS AND ADDRESS NUMERALS WITH VERTICALLY BRUSHED FACES AND RETURNS; ATTACHED TO SIGN FACE WITH SCREWS
- 2- 11'-7 1/4" X 38" X 3/4" THICK SENSITILE LUMINA SPARK BOLD ACRYLIC SIGN FACE PANEL; CLEAR FACE, CLEAR CENTER AND #2550 BLUE BACK; HORIZONTAL SEAM IN CENTER PROVIDED BY SENSITILE; SLOT IN RIGHT SIDE; PANELS SLIDE IN FABRICATED BRACKETS
- 3- RIGHT SIDE MOUNTING BRACKET FOR FACE PANELS AND LEDS FABRICATED FROM TWO PIECES OF ALUMINUM ANGLE TRIMMED TO SIZE AND SCREWED TOGETHER TO FORM CHANNELS AS SHOWN; ADDITIONAL HOLES DRILLED AND TAPPED FOR 8-32 SET SCREWS THAT FIT IN SLOT TO PREVENT HORIZONTAL MOVEMENT
- 4- LEFT SIDE MOUNTING BRACKET FOR FACE PANELS AND LEDS FABRICATED FROM TWO PIECES OF ALUMINUM ANGLE TRIMMED TO SIZE AND SCREWED TOGETHER TO FORM CHANNELS AS SHOWN, ALLOWS MOVEMENT FOR EXPANSION
- 5- 14 GA. STAINLESS STEEL TOP CAP WITH 1-3/4" RETURNS; BRUSHED FINISH; ATTACHED TO CLADDING WITH SCREWS
- 6- 14 GA. STAINLESS STEEL CLADDING; VERTICAL BRUSHED; FORMED TO SHAPE; ATTACHED TO 3/16" FORMED ALUMINUM WITH FLAT HEAD, UNDER CUT SCREWS

- 7- 3/16" THICK FORMED ALUMINUM; HOLES DRILLED FOR ALUMINUM CHANNELS AND FABRICATED BRACKETS FOR FACE PANELS AND LED MODULES; HOLES DRILLED AND TAPPED FOR CLADDING ATTACHMENT AND 1/8" ALUMINUM BACK PANELS; ATTACHED TO 3" ALUMINUM STRUCTURAL CHANNEL WITH FLAT HEAD SCREWS; PAINTED SILVER
- 8- 3" STRUCTURAL ALUMINUM CHANNEL; 3/8" ALUMINUM BAR STOCK WELDED INSIDE CHANNEL; HOLES DRILLED AND TAPPED FOR 3/16" FORMED ALUMINUM AND 1/8" ALUMINUM PANELS; HOLES FOR 3/8" MOUNTING BOLTS ARE DRILLED AND TAPPED IN FIELD
- 9- 1/8" THICK ALUMINUM PANELS; ATTACHED TO 3/16" FORMED ALUMINUM AND 3" STRUCTURAL ALUMINUM CHANNELS WITH SCREWS; PAINT MAP BRUSHED ALUMINUM SILVER
- 10- BASE PLATE 1" THICK ALUMINUM PLATE FOR REVEAL; NOTCHES CUT FOR 3" SQUARE TUBE STEEL POSTS; 1-1/2" DIAMETER HOLE CUT OUT FOR ELECTRICAL CONDUIT; PAINT BLACK; ATTACHED TO CONCRETE PAD WITH ANCHOR BOLTS
- 12- 3" X 3" X 5/16" A50 STEEL SQUARE TUBE; 4" X 5" X 3/8" THICK STEEL MOUNTING TABS WELDED ON POSTS (4 EA. POST) TO ATTACH CABINET; POSTS SET IN 12" DIAMETER X 6'-0" CONCRETE PIER FOOTINGS
- 13- CONCRETE PAD; EXTENDS 3" FROM ALL SIDES OF SIGN CABINET; PAD SETS 3" BELOW GRADE AND EXTENDS 3" ABOVE GRADE

PAGE 2 of 3

1699 Hermann Drive
Houston, Texas 77004

GraphTec

6209 Windfern
Houston, Texas 77040
fax: 713-690-7676
phone: 713-690-9999
signs@graphtecinc.com

DATE 01/29/16

REVISED 02/22/16

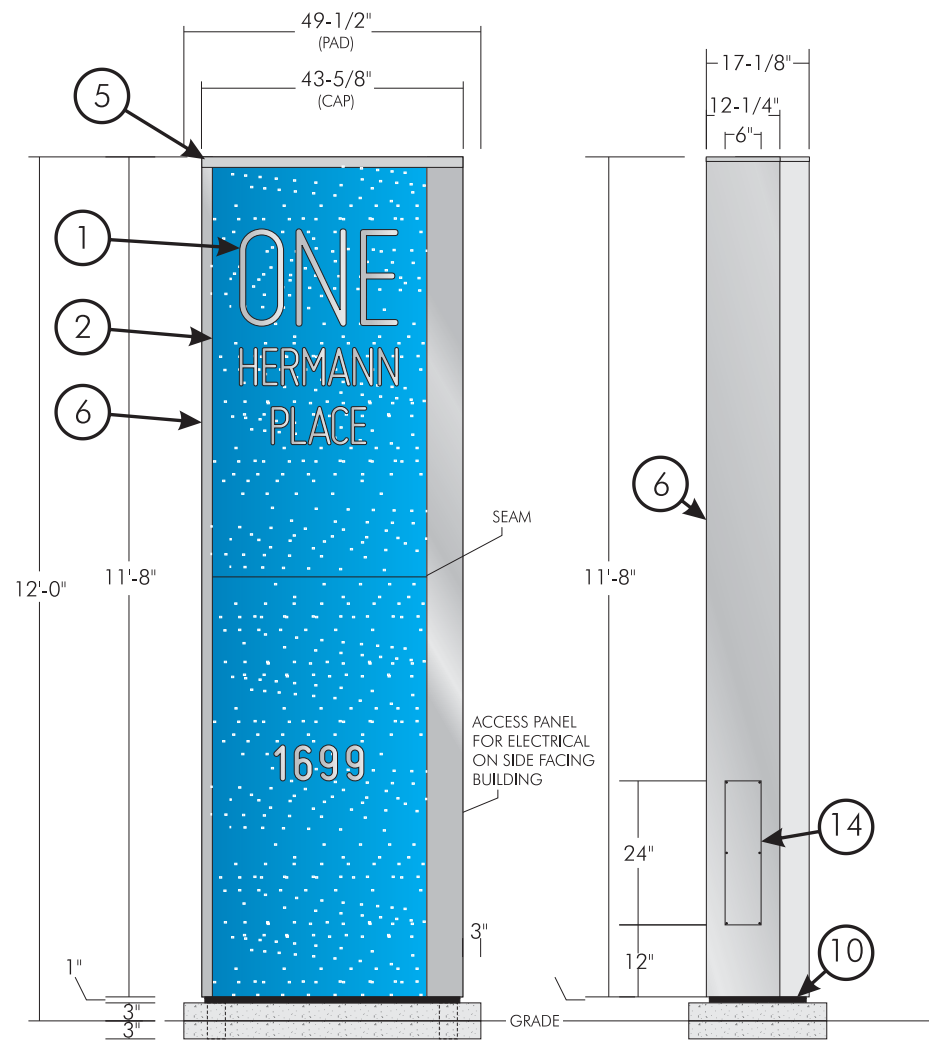
1 Hermann Place

DRAWN BY JCW

Sign Type **EX-01**
Building Identifier

SCALE AS SHOWN

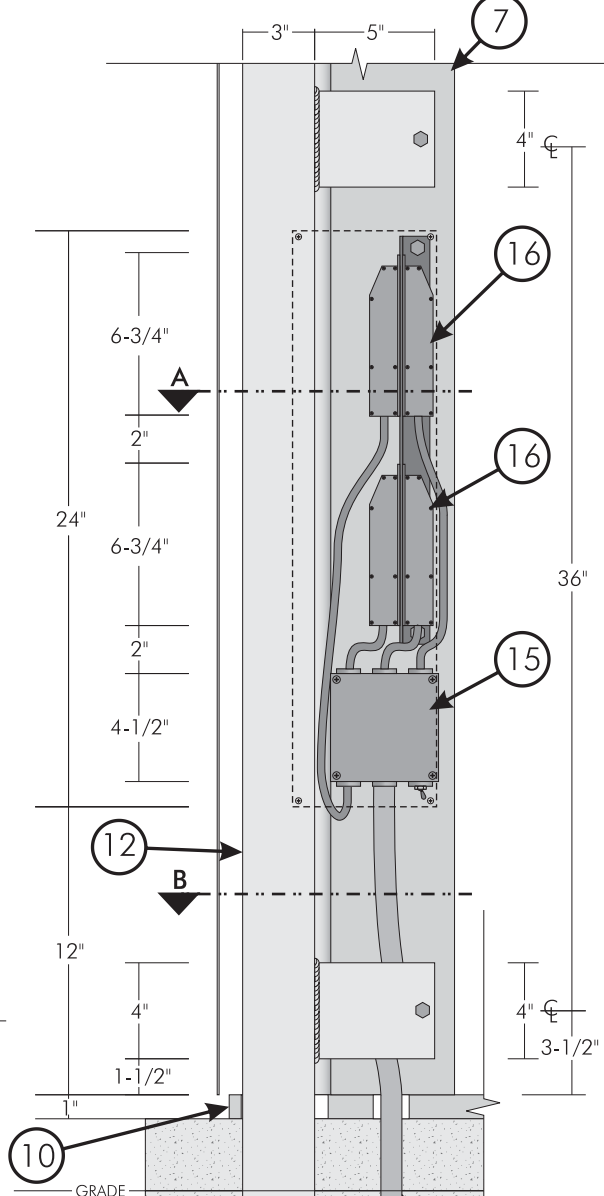
DRAWING NUMBER
G5432-16B R3



FRONT VIEW
SCALE: 3/8" = 1'-0"

SIDE VIEW
SCALE: 3/8" = 1'-0"

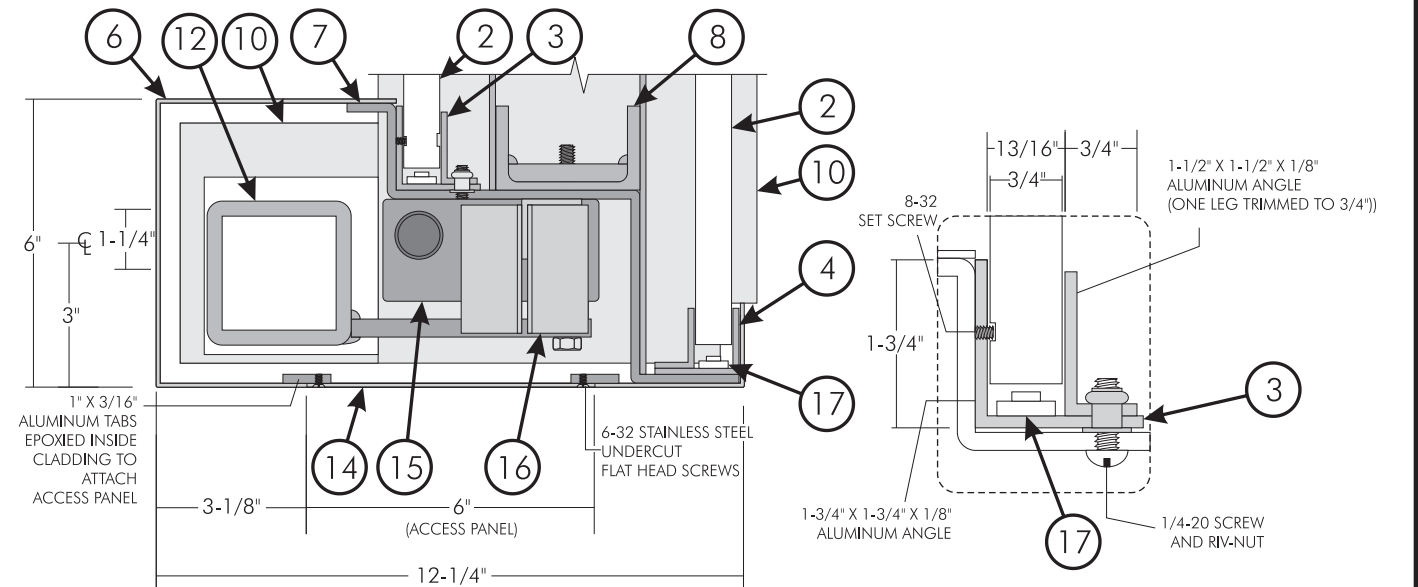
- 1- 1" THICK FABRICATED STAINLESS STEEL LETTER FORMS AND ADDRESS NUMERALS WITH VERTICALLY BRUSHED FACES AND RETURNS; ATTACHED TO SIGN FACE WITH SCREWS
- 2- 11'-7 1/4" X 38" X 3/4" THICK SENSITILE LUMINA SPARK BOLD ACRYLIC SIGN FACE PANEL; CLEAR FACE, CLEAR CENTER AND #2550 BLUE BACK; HORIZONTAL SEAM IN CENTER PROVIDED BY SENSITILE; SLOT IN RIGHT SIDE; PANELS SLIDE IN FABRICATED BRACKETS
- 3- RIGHT SIDE MOUNTING BRACKET FOR FACE PANELS AND LEDS FABRICATED FROM TWO PIECES OF ALUMINUM ANGLE TRIMMED TO SIZE AND SCREWED TOGETHER TO FORM CHANNELS AS SHOWN; ADDITIONAL HOLES DRILLED AND TAPPED FOR 8-32 SET SCREWS THAT FIT IN SLOT TO PREVENT HORIZONTAL MOVEMENT
- 4- LEFT SIDE MOUNTING BRACKET FOR FACE PANELS AND LEDS FABRICATED FROM TWO PIECES OF ALUMINUM ANGLE TRIMMED TO SIZE AND SCREWED TOGETHER TO FORM CHANNELS AS SHOWN, ALLOWS MOVEMENT FOR EXPANSION
- 5- 14 GA. STAINLESS STEEL TOP CAP WITH 1-3/4" RETURNS; BRUSHED FINISH; ATTACHED TO CLADDING WITH SCREWS
- 6- 14 GA. STAINLESS STEEL CLADDING; VERTICAL BRUSHED; FORMED TO SHAPE; ATTACHED TO 3/16" FORMED ALUMINUM WITH FLAT HEAD, UNDER CUT SCREWS
- 7- 3/16" THICK FORMED ALUMINUM; HOLES DRILLED FOR ALUMINUM CHANNELS AND FABRICATED BRACKETS FOR FACE PANELS AND LED MODULES; HOLES DRILLED AND TAPPED FOR CLADDING ATTACHMENT AND 1/8" ALUMINUM BACK PANELS; ATTACHED TO 3" ALUMINUM STRUCTURAL CHANNEL WITH FLAT HEAD SCREWS; PAINTED SILVER
- 8- 3" STRUCTURAL ALUMINUM CHANNEL; 3/8" ALUMINUM BAR STOCK WELDED INSIDE CHANNEL; HOLES DRILLED AND TAPPED FOR 3/16" FORMED ALUMINUM AND 1/8" ALUMINUM PANELS; HOLES FOR 3/8" MOUNTING BOLTS ARE DRILLED AND TAPPED IN FIELD



ELECTRICAL ACCESS DETAIL
SCALE: 1-1/2" = 1'-0"

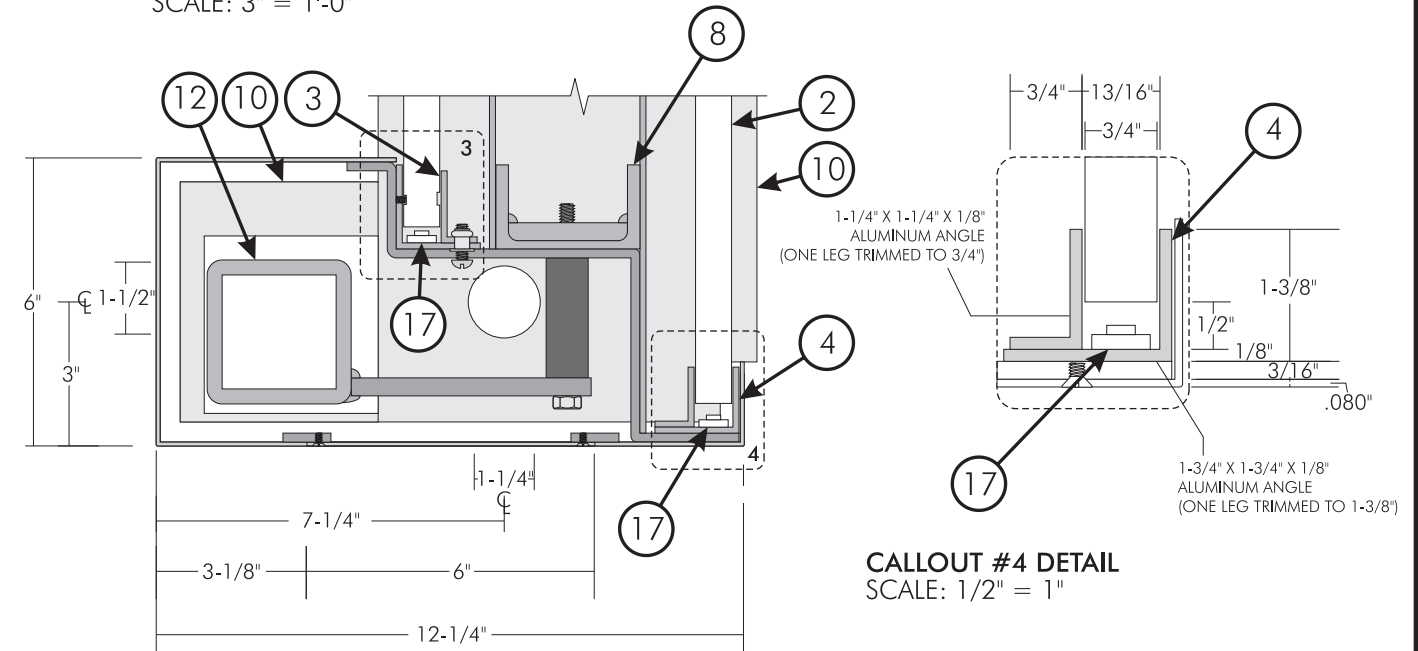
ELECTRICAL CONDUIT TO SIGN BY OTHERS 120V, 20 AMP DEDICATED CIRCUIT

- 10- BASE PLATE 1" THICK ALUMINUM PLATE FOR REVEAL; NOTCHES CUT FOR 3" SQUARE TUBE STEEL POSTS; 1-1/2" DIAMETER HOLE CUT OUT FOR ELECTRICAL CONDUIT; PAINT BLACK; ATTACHED TO CONCRETE PAD WITH ANCHOR BOLTS
- 12- 3" X 3" X 5/16" A50 STEEL SQUARE TUBE; 4" X 5" X 3/8" THICK STEEL MOUNTING TABS WELDED ON POSTS (4 EA. POST) TO ATTACH CABINET; POSTS SET IN 12" DIAMETER X 6'-0" CONCRETE PIER FOOTINGS
- 13- CONCRETE PAD; EXTENDS 3" FROM ALL SIDES OF SIGN CABINET; PAD SETS 3" BELOW GRADE AND EXTENDS 3" ABOVE GRADE
- 14- ELECTRICAL ACCESS HOLE CUT OUT IN CLADDING ON ELECTRICAL SIDE OF SIGN CABINET; 1" X 3/16" THICK ALUMINUM TABS WITH HOLES DRILLED AND TAPPED FOR 6-32 SCREWS 14 GA STAINLESS STEEL ACCESS PANEL ATTACHED TO TABS WITH 6-32 UNDERCUT FLAT HEAD SCREWS
- 15- 2 GANG ELECTRICAL BOX WITH SWITCH INSTALLED INSIDE CABINET ONTO 3/16" FORMED ALUMINUM
- 16- LEDS POWERED BY FOUR E75L24DC-KO : 75W 24VDC VOLTAGE DIMMABLE CLASS 2 LED DRIVERS MOUNTED TO ALUMINUM ANGLE; ANGLE SCREWED TO 3/16" FORMED ALUMINUM
- 17- HIGH LUMINOSITY, WATERPROOF COOL WHITE 24V. DC LED TAPE LIGHTS ON EACH SIDE OF SENSITILE PANELS



SECTION A DETAIL
SCALE: 3" = 1'-0"

CALLOUT #3 DETAIL
SCALE: 1/2" = 1"



SECTION B DETAIL
SCALE: 3" = 1'-0"

CALLOUT #4 DETAIL
SCALE: 1/2" = 1"

PAGE 3 of 3

1699 Hermann Drive
Houston, Texas 77004

GraphTec

6209 Windfern
Houston, Texas 77040
fax: 713-690-7676
phone: 713-690-9999
signs@graphtecinc.com

DATE 01/29/16

REVISED 02/22/16

DRAWN BY JCW

SCALE AS SHOWN

DRAWING NUMBER

G5432-16C R3

1 Hermann Place

Sign Type EX-01
Building Identifier