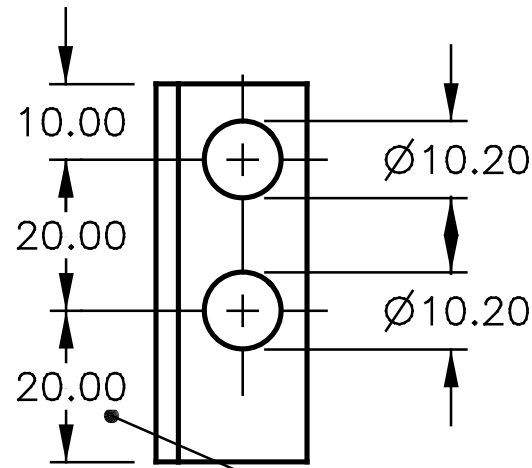
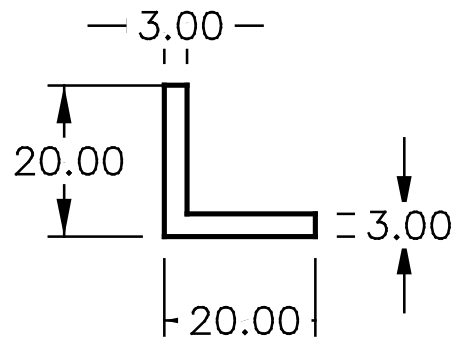
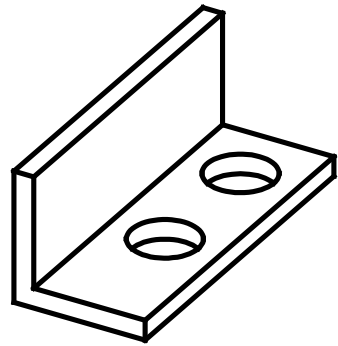
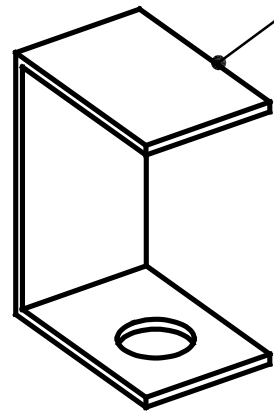


Desk shifter mount for 911 wheel

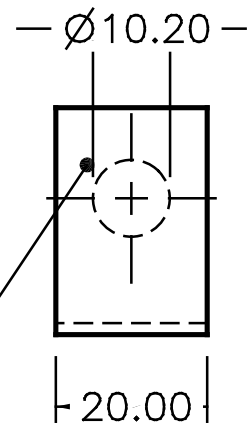
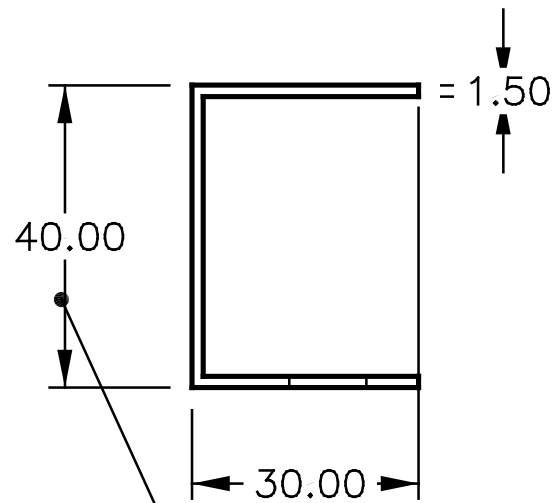


The 10.2mm hole is for if you wish to tap the angle. You don't need to but you'll have to find longer bolts if you choose to hold the bolts secure with a nut instead.

Vary this dimension to alter the height of the shifter off the desk.



I designed this out of 1.5mm steel sheet because I happen to have a lot lying about and it can be cut and folded easily. It may not be strong enough though.



Weld the angle to the rolled sheet and stick bolts in and hey presto you've got a solidly mounted shifter without having to modify the shifter or your table, if you like your table you need to find something to stop the end of the bolt digging into your table.

Make sure this is big enough for your desk.

If you can't tap the hole you could just put a bolt on the other side but it would make the hole design more cumbersome and you need to remember to add the height of the bolt to the height of the desk.

